



THE TIGER.

GENIUS | EPS FISH BOXES

Compaction system for wet EPS fish boxes.

Model variant in space-saving compact design.

Corrosion-protected design for processing wet EPS packaging.

Used for daily processing of small to large quantities.

Suitable for small to medium-sized parts.



TIGER 130 GENIUS | EPS FISH BOXES

Throughput ¹⁾	up to 15-18 kg/h
Recommended performance range ¹⁾	20 - 60 Kg/Day
Achievable compaction density ¹⁾	up to 250 kg/m ³
Processable material densities	up to 40 g/l
Processable molded part thickness	up to 200 mm
Effective feed opening (L x W)	800 x 360 mm
Block size	140 x 140 mm
Installation dimensions (L x W x H) ²⁾	3.090 x 460 x 1.602 mm
Machine weight ²⁾	approx. 370 kg
Electrical connected load ²⁾	1,50 kW (16 Amp)
Supply voltage (EU)	3x 400 V 50 Hz
Supply voltage (USA)	3x 480 V 60 Hz
Marking	CE

Materials

EPS fish boxes, wet

Industries

Fish industry
Fish markets
Delicatessens
Retail and department store chains
Shopping centers

Symbol image



¹⁾ Depending on material type and material density ²⁾ Basic machine without options



Throughput ¹⁾	up to 40-50 Kg/h
Recommended performance range ¹⁾	80 - 250 Kg/day
Achievable compaction ¹⁾	up to 250-350 kg/m ³
Processable material densities	up to 40 g/l
Processable molded part thickness	up to 300 mm
Effective feed opening (L x W)	1.000 x 500 mm
Block size	210 x 210 mm
Installation dimensions (L x W x H) ²⁾	5.030 x 1.210 x 1.700 mm
Machine weight ²⁾	approx. 900 kg
Electrical connected load ²⁾	4,25 kW (16 Amp)
Supply voltage (EU)	3x 400 V 50 Hz
Supply voltage (USA)	3x 480 V 60 Hz
Marking	CE

Materials

EPS fish boxes, wet

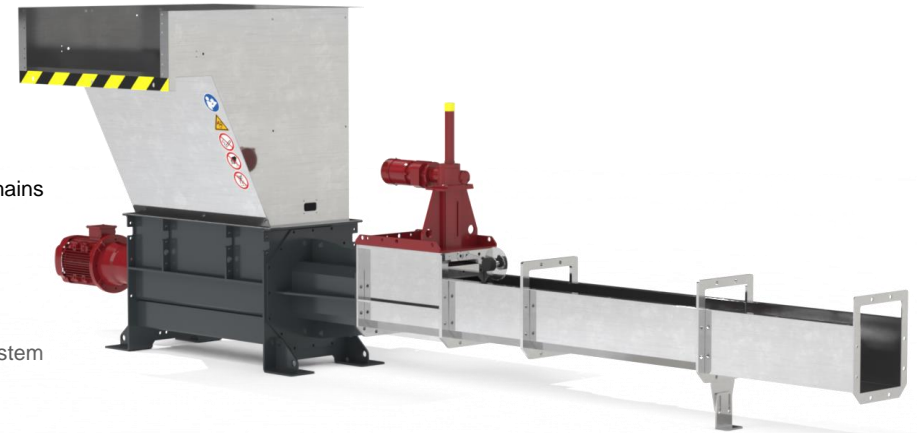
Industries

Fish industry
 Fish markets
 Delicatessens
 Retail and department store chains
 Shopping centers

Options

Automatic block separating system
 Block lifting crane with gripper

Symbol image



Throughput ¹⁾	up to 70-80 Kg/h
Recommended performance range ¹⁾	150 - 400 Kg/day
Achievable compaction ¹⁾	up to 250-350 kg/m ³
Processable material densities	up to 40 g/l
Processable molded part thickness	up to 300 mm
Effective feed opening (L x W)	1.000 x 500 mm
Block size	260 x 260 mm
Installation dimensions (L x W x H) ²⁾	5.180 x 1.210 x 1.700 mm
Machine weight ²⁾	approx.. 1.100 kg
Electrical connected load ²⁾	5,75 kW (16 Amp)
Supply voltage (EU)	3x 400 V 50 Hz
Supply voltage (USA)	3x 480 V 60 Hz
Marking	CE

Materials

EPS fish boxes, wet

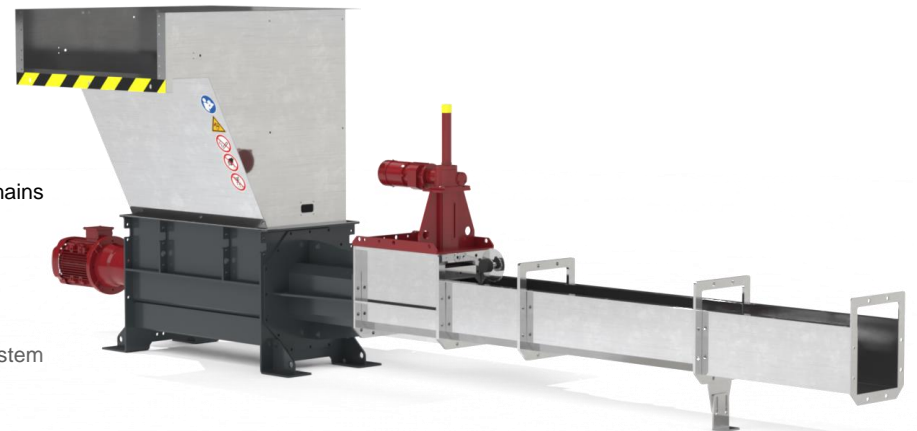
Industries

Fish industry
 Fish markets
 Delicatessens
 Retail and department store chains
 Shopping centers

Options

Automatic block separating system
 Block lifting crane with gripper

Symbol image



¹⁾ Depending on material type and material density ²⁾ Basic machine without options



Throughput ¹⁾	up to 100-120 Kg/h
Recommended performance range ¹⁾	200 - 700 Kg/day
Achievable compaction ¹⁾	up to 250-350 kg/m ³
Processable material densities	up to 40 g/l
Processable molded part thickness	up to 350 mm
Effective feed opening (L x W)	1.000 x 600 mm
Block size	320 x 320 mm
Installation dimensions (L x W x H) ²⁾	5.650 x 1.600 x 1.920 mm
Machine weight ²⁾	approx. 1.800 kg
Electrical connected load ²⁾	7,87 kW (32 Amp)
Supply voltage (EU)	3x 400 V 50 Hz
Supply voltage (USA)	3x 480 V 60 Hz
Marking	CE

Materials

EPS fish boxes, wet

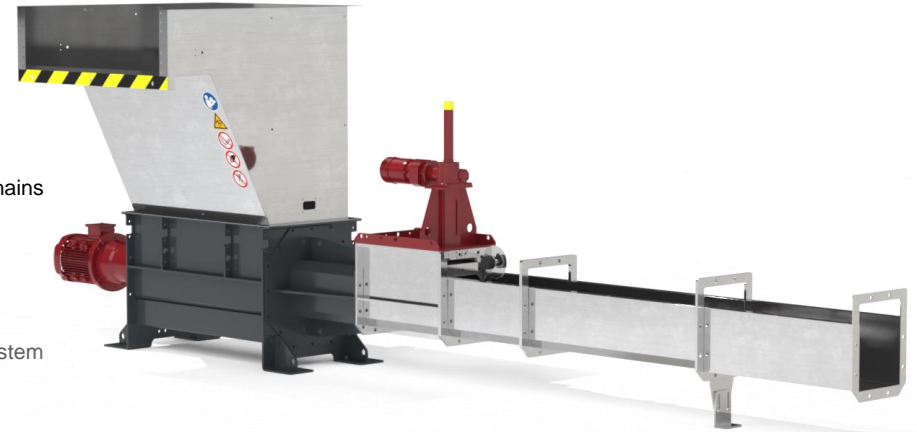
Industries

Fish industry
Fish markets
Delicatessens
Retail and department store chains
Shopping centers

Options

Automatic block separating system
Block lifting crane with gripper

Symbol image



Throughput ¹⁾	up to 150-200 Kg/h
Recommended performance range ¹⁾	400 - 1.500 Kg/day
Achievable compaction ¹⁾	up to 250-350 kg/m ³
Processable material densities	up to 40 g/l
Processable molded part thickness	up to 350 mm
Effective feed opening (L x W)	1.000 x 600 mm
Block size	400 x 400 mm
Installation dimensions (L x W x H) ²⁾	6.350 x 1.600 x 1.920 mm
Machine weight ²⁾	approx. 2.000 kg
Electrical connected load ²⁾	15,37 kW (63 Amp)
Supply voltage (EU)	3x 400 V 50 Hz
Supply voltage (USA)	3x 480 V 60 Hz
Marking	CE

Materials

EPS fish boxes, wet

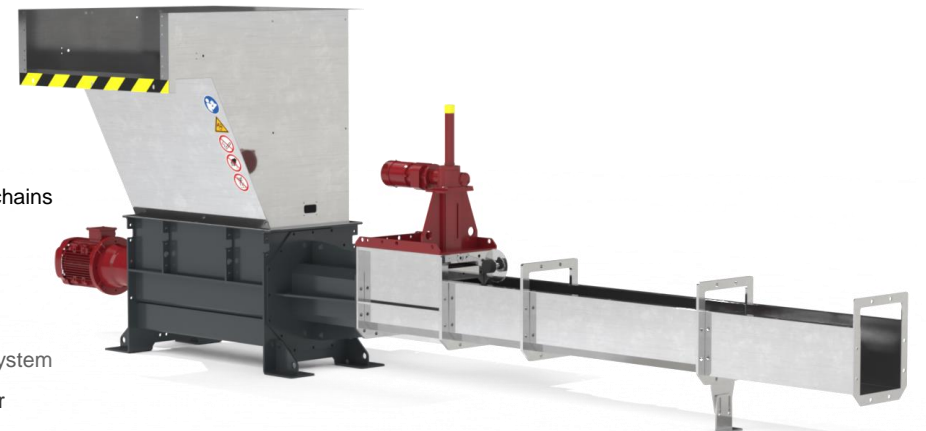
Industries

Fish industry
Fish markets
Delicatessens
Retail and department store chains
Shopping centers

Options

Automatic block separating system
Block lifting crane with gripper

Symbol image



¹⁾ Depending on material type and material density ²⁾ Basic machine without options